



Qubo

A **Hero**  
Group Venture

# The QBOOK

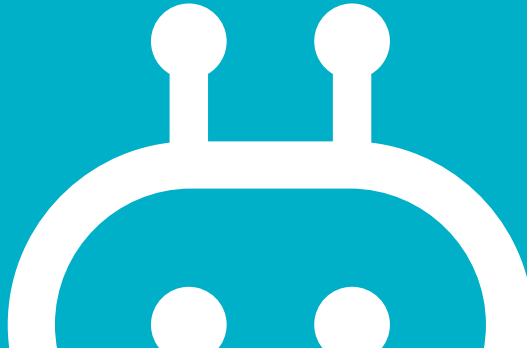
Smart RIM Lock



VISIT OUR YOUTUBE PAGE AND WATCH  
THE HOW-TO VIDEOS  
FOR MORE INFORMATION.



Scan QR code



Meet  
**QUBO**  
Smart RIM Lock

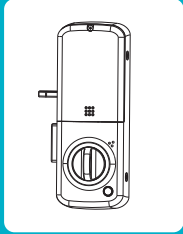
Presenting Qubo Smart RIM lock for unlocking a new world of smart convenience and ultra-security. Enjoy a super stylish rim lock with the convenience of 3-way access, via Pincode, Access Card and Mobile App.

It's time to ditch the hassle of keys and switch to smart with Qubo Smart Rim Lock.

# Contents

1. What's in the box?
2. Let's take a closer look
3. What you will need?
4. Lets Get Started - Installation Steps
5. Safety Guidelines
6. Support & Disclaimers
7. Warranty Statement

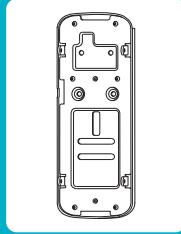
# WHAT'S IN THE BOX?



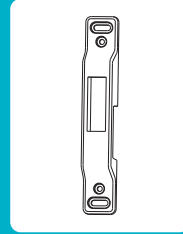
Back Panel



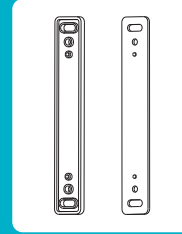
Front Panel



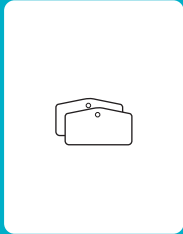
Mounting Plate



Strike



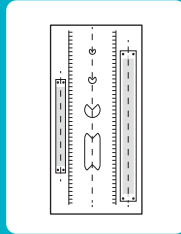
Strike Plates



Access Cards



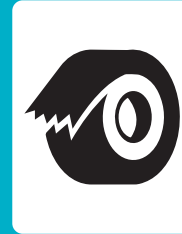
Screw Kit



Drilling Template



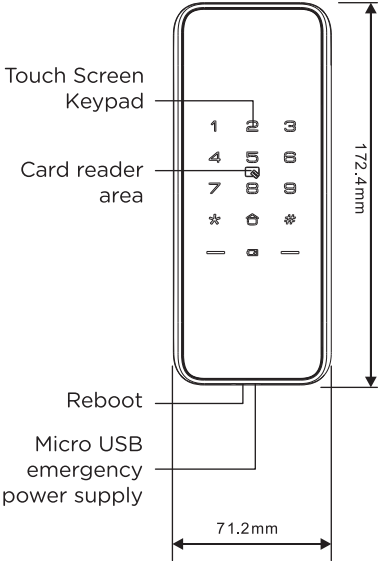
Warranty Card



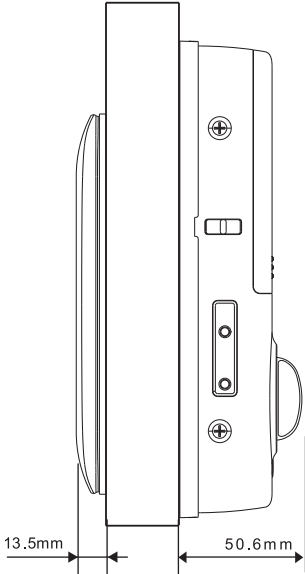
Strike Plate  
Covering Tape

**Disclaimer** This package list is for reference only, and all contents are subject to the actual products.

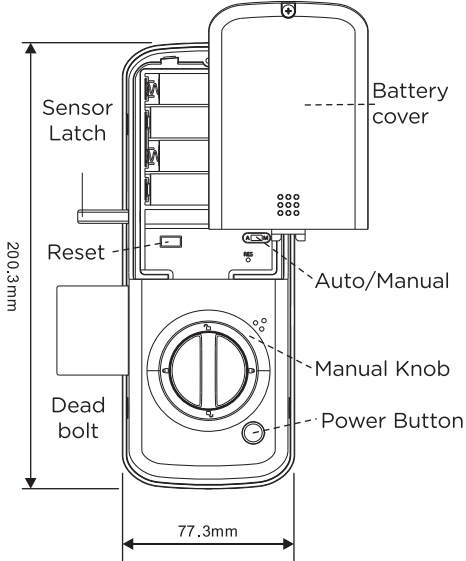
# Let's take a closer LOOK



Front Panel



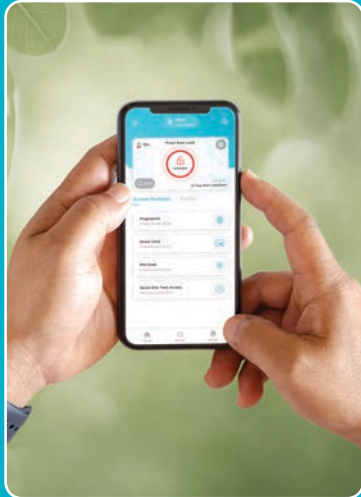
Side Panel



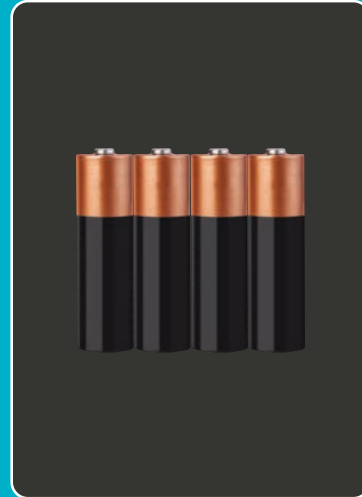
Back Panel

# What else you will NEED?

Qubo App on your Smartphone



4 AA Alkaline Batteries

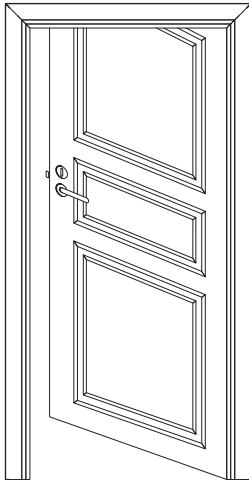


# LETS GET STARTED - INSTALLATION STEPS

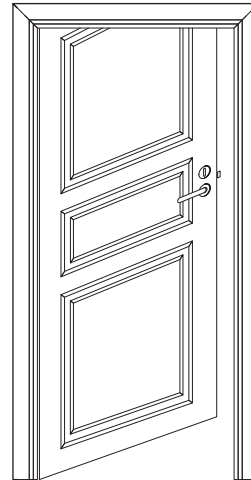
## Check door open direction

This product fits for all door open directions. Minimum width required of Door is 30MM

**Left Side Entry**



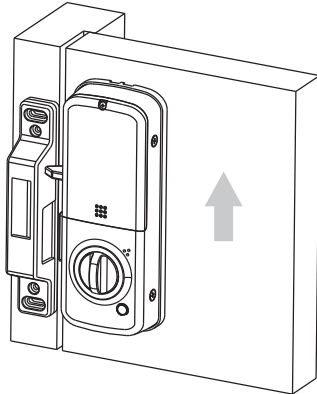
**Right Side entry**





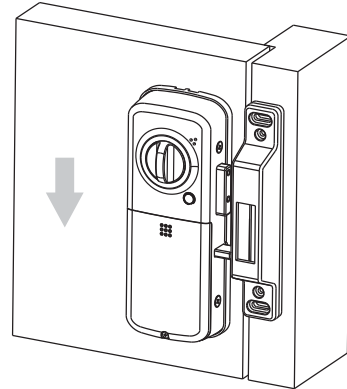
# CONFIRM POSITIONING OF BACK LOCK

Left handed door



Inside

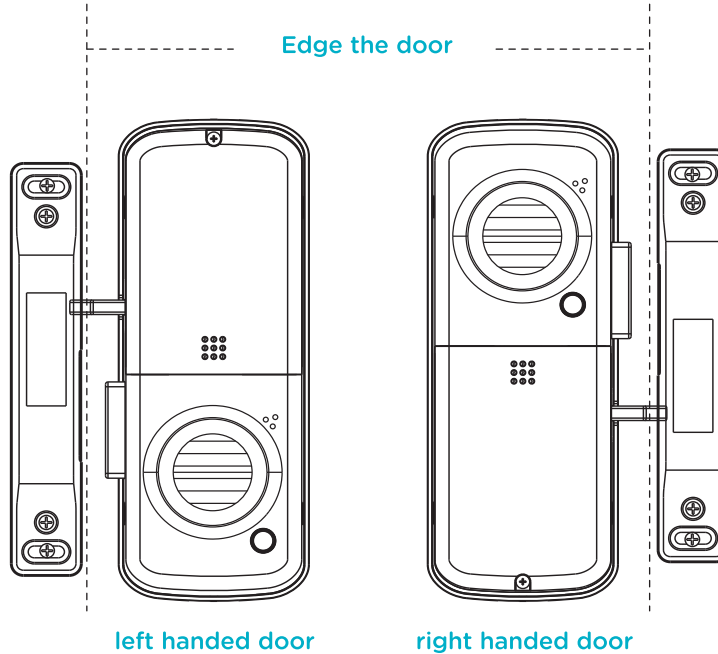
Right handed door



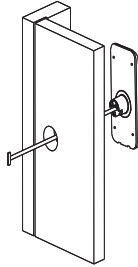
Inside

# POSITION THE 'DRILLING TEMPLATE'

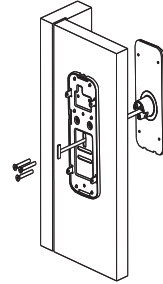
on the door and drill holes based on the door type and direction.



# CABLE CONNECTIONS

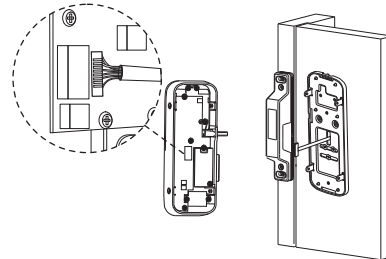


Pass the front panel connecting cable through the drill hole on the door as indicated above.



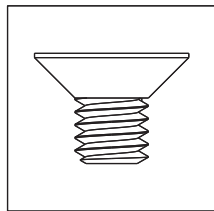
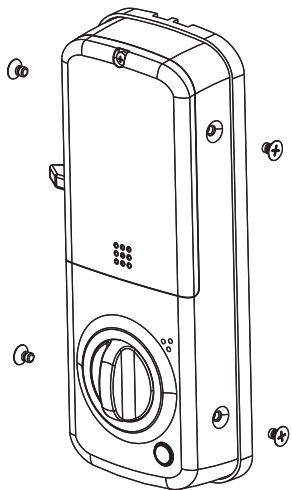
Pass the connecting cable from the front panel through the mounting plate on the inside of the door and fasten the screws.

Get the front panel cable connected to the back panel

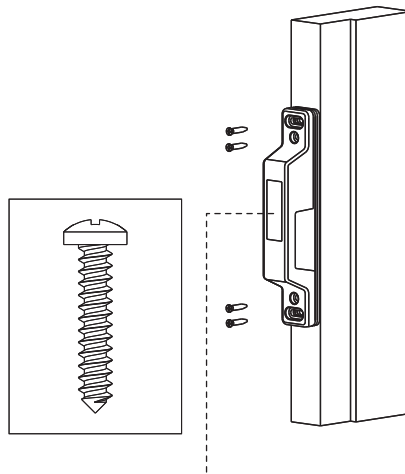


**Disclaimer** Be careful while handling cables.

Get the back panel installed on the mounting plate and fasten the screws.

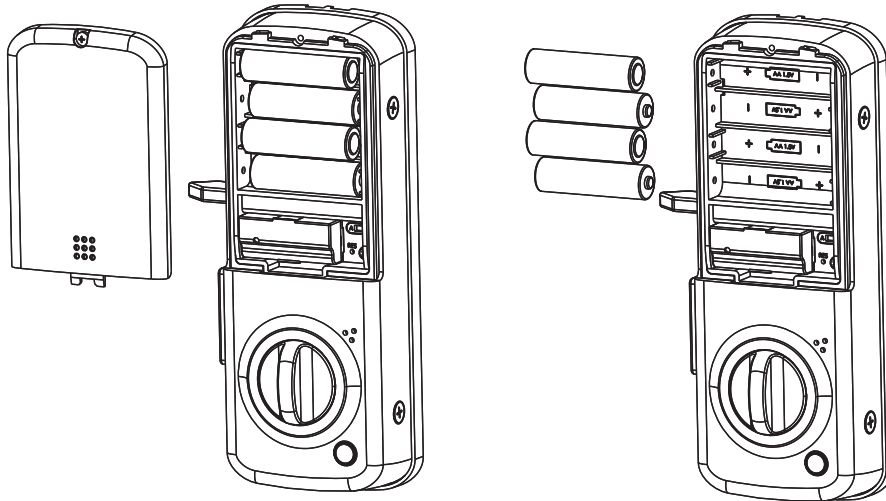


Fix and fasten the screws after properly positioning the strike on the door frame.



You can cover open area on the strike plate by pasting the tape provided in box

# INSERT 4 AA ALKALINE BATTERIES AND FIX BATTERY COVER.



**Disclaimer** Post installation, please check if lock works smoothly by opening and closing door.

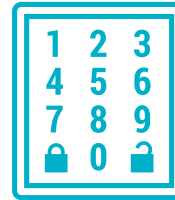
# MULTIPLE WAYS TO ACCESS YOUR DOOR



Access Card



Qubo Mobile App



Pincode

# SETUP ACCESS FOR YOUR SMART RIM LOCK

## ACCESS SETUP THROUGH QUBO APP

### Step 1

Download the Qubo App from Google Play or Apple App Store by scanning the QR Code below.



### Step 2

Create an account on the QUBO App if you don't have account else open Qubo app and follow the instructions to get started. You can also start your device by using below steps:

**Note:** Access setup is recommended through Qubo Mobile App.  
The Mobile App works via Bluetooth.

## ACCESS SETUP MANUALLY

### Step 1: Setting up a Master PIN

- o Touch the screen to activate
- o By default, Master PIN is 12345678
- o Press # and enter Master PIN followed by #
- o Follow instructions as guided by device.

**Step 2:** To add user PIN code press 1 for user settings, then press 1 to enroll user PIN.

**Step 3:** Enter user PIN code (6-12 digit) and confirm with # key.

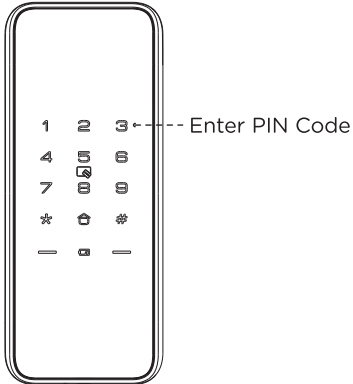
To know how to add/delete access options of your

QUBO Smart RIM lock please scan below the QR Code

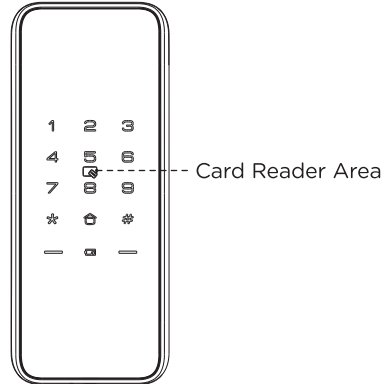


# HOW TO UNLOCK FROM OUTDOOR/ FRONT PANEL

Unlock by PIN



Unlock by Card



## Outdoor | Front panel

1. Touch keypad by palm from below to up to lighten keypad.
2. Enter the enrolled PIN code with end of [#].
3. Voice prompt "Verification succeeded".

## Outdoor | Front panel

1. Place the enrolled access card properly on the card reader area until one beep sound and voice prompt "Verification succeeded."



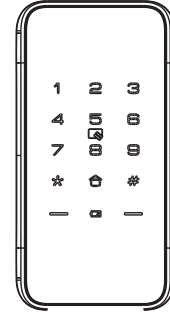
# LOCK FROM FRONT PANEL

## Auto Locking Mode:

In Auto Mode, the deadbolt will come out automatically

## Manual Locking Mode :

Close the door and verify the PIN code/Access Card



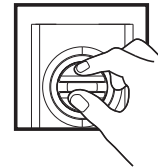
---

# UN-LOCK FROM BACK PANEL

**Manual Option:** Turn the manual knob into the position of unlock icon

**Auto Option:** Press the Open/Close Button

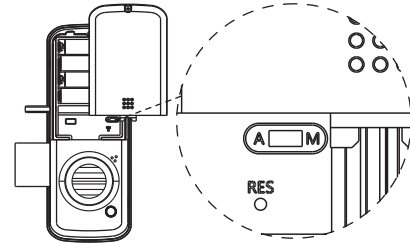
**Enable Privacy Mode:** No Visitor can access the lock from outside even if he has the valid Pincode or Access card if the Privacy mode is enabled. The lock can only be opened from inside. Long press the Close/Open button for 3 seconds to enable privacy mode



**Disclaimer** All User PIN's/Access Cards will be restricted in privacy mode from front panel. Only master code can unlock. To disable, open door from inside.

## AUTO/MANUAL MODE

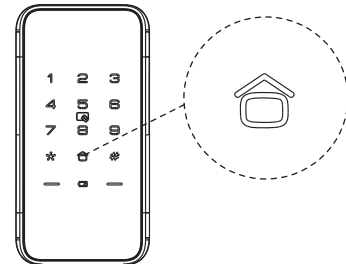
- 1) {A} Means auto mode: when door is closed, the deadbolt will be derived out automatically.
- 2) {M} Means manual mode: when door is closed, the deadbolt will not be derived out.



---

## DEFENSE MODE

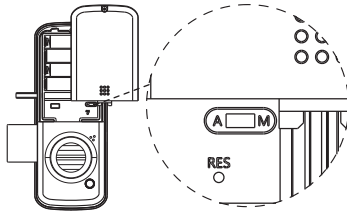
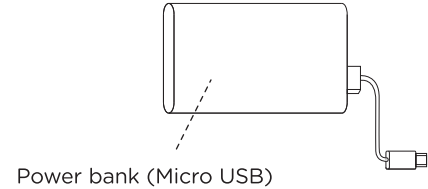
- 1) **Enable:** After door is locked, Press and hold <🏠> Button to enable defense mode. Alarm will be triggered when door is unlocked from inside.
- 2) **Disable:** Once the door is properly unlocked from outside, defense mode will be disabled automatically.



# OTHER FUNCTIONS

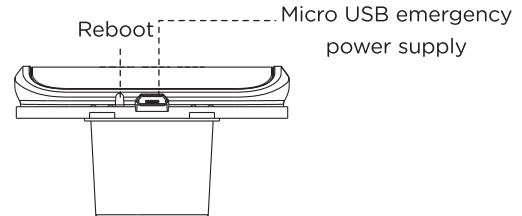
## Emergency Power Supply:

When the battery voltage is too low and cannot be opened from outside, connect a 5V power supply via Micro USB port at the front. Then unlock the door and replace all batteries immediately.



## Factory Reset: Operation Instructions

- 1) Open battery cover and find reset button
- 2) Double click [RES] button, the voice prompt "Restored to factory settings" Change Master Pin code.
- 3) After that all user data and settings will be deleted.



## Reboot:

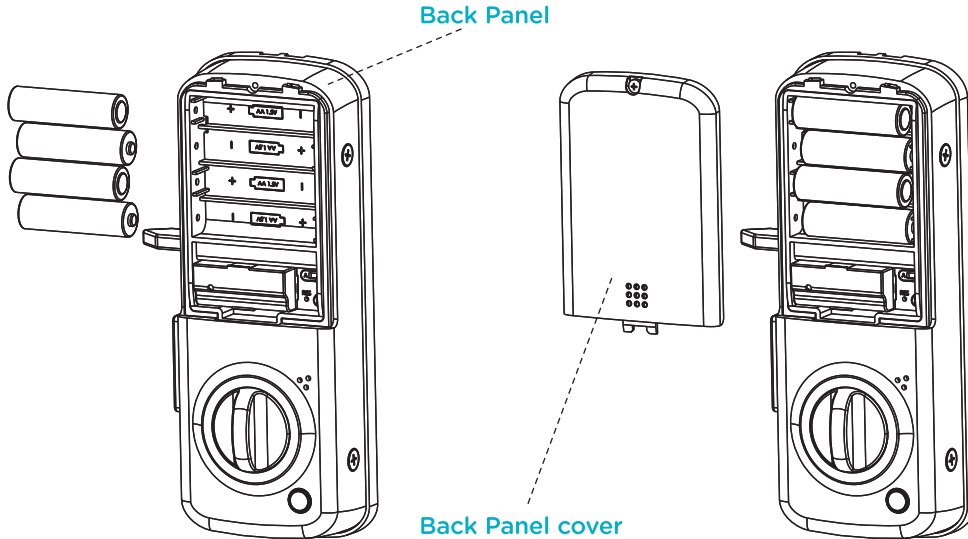
Press the reboot button to restart the lock when the system is unresponsive, no user data is deleted.

# REPLACE BATTERY

1.5V AA Alkaline Battery is required.

When battery voltage is lower than 4.8V, voice prompts play “**Low battery, please replace all batteries**” at each unlocking.

Please replace all batteries immediately, and do not mix old and new batteries together in replacement.



# Safety Guidelines

## Safety instructions:

- Read and understand all instructions before using this Smart RIM Lock. Damage caused by failure to follow instructions is not covered by the warranty.
- Do not install the Smart RIM Lock in an outdoor environment.
- It is recommended only to use the enclosures/ accessories specified by the company.
- Use only alkaline batteries configured with this product.
- Do not forcibly disassemble this product in order to avoid alarm sound or damage to the product.
- Do not try to dismantle the Smart RIM Lock or use unnecessary force using sharp tools on the lock. Doing so can cause an electronic shock.
- Do not expose the lock to corrosive substances to avoid damage to outer protective layer of the product.
- When cleaning the product, please wipe it with a soft cloth. Do not use water and any type of solvent to clean the product such as gasoline, alcohol or benzene as they can cause damage to electric circuit, deterioration and/or paint to peel off.
- Do not remove the batteries while operating the lock.
- Please ensure installation is carried out by a professional expert by strictly following company suggested installation instructions.
- After the Rim Lock is installed, Please modify the default master code immediately. Do not disclose the PIN code to any unknown person.

- When low battery alarm is triggered, please replace all the batteries immediately.
  - > Make sure the lock be tight when you go out.
  - > Be careful not to hit the handle as it may cause injuries.
  - > In manual lock mode, make sure you double-check whether the door is securely locked.

### Warning:

- Do not dispose the batteries in fire as it may cause an explosion
- Do not short-circuit the two poles of the battery lead with metal objects as it may cause an explosion.
- Please make sure replacement or maintenance is carried out by a professional expert authorized by Qubo.

- Your warranty may stand null & void if other than Qubo accessories are used (avoid using accessories from other manufacturers)

### Disposal of used battery and lock

- Please understand the local electronic product classification and collection system.
- Please follow the local regulations and do not discard used batteries into ordinary household garbage.
- Proper disposal of used product helps to avoid potential negative impacts on the environment and human health.

# SUPPORT

## In case you need further help setting up this device:

- Visit the support section on our website and download the detailed user manual.
- Visit our YouTube page and watch the How-To videos.
- Contact our customer care center at 1800-572-5757.

## Disclaimers

- Hero Electronix Private Limited reserves the right to make changes to existing services without prior notice, at its sole discretion.
- Images used are for reference purpose only. Actual product might vary in terms of colour and composition.
- All related logos are trademark of Hero Electronix Pvt. Ltd.
- Certain features may not be available at the time of launch.



# LIMITED WARRANTY STATEMENT

## NOTE:

This is a simplified and concatenated version of the standard warranty terms and conditions. For the complete warranty terms and conditions, please refer to the website link given at the end of the document. Alternatively, you can reach out to our toll free helpline number to know about the same.

## Important

Please retain your receipt as proof of purchase.

HERO Electronix Private Limited warrants to the owner of the Qubo Smart RIM Lock, (henceforth referred as Device) that the Device will be free of defects in material and workmanship for a period as mentioned below.

Item	Warranty Period	Scope of Warranty
Smart RIM Lock	12 months from the date of purchase	This warranty covers only the defects in products arising from manufacturing or faulty workmanship.

Item	Warranty Period	Scope of Warranty
Smart RIM Lock ULTRA	18 months from the date of purchase	This warranty covers only the defects in products arising from manufacturing or faulty workmanship.

During this warranty period, if any defect arises in the Device, HERO Electronix will, at its sole discretion, either (i) repair the device free of cost with either new or refurbished parts, or (ii) replace the Device with a new or refurbished Device that is equivalent to the Device to be replaced. This limited warranty applies to any repair, replacement part or replacement device for the remainder of the original warranty period or for 90 (Ninety) days, whichever period is longer.

This limited warranty is non-transferable.

This limited warranty is only valid in India.



## Instructions:

For specific instructions about how to obtain warranty services for your Device, please contact our toll-free helpline 18005725757. In general, the end user needs to call our Toll Free number and register the complaint. The Tech team will help the customer to resolve the issue. In case customer needs further assistance, the agent will arrange for engineer visit and /or device replacement.

## This limited warranty does not cover the following (Collectively Ineligible Products)

- i. If the warranty seal on the Device is broken.
- ii. Devices that have been subjected to:  
(a) modifications, alterations, tampering or improper maintenance and repair (b) handling, storage, installation, testing or use not in accordance with any User guide, Placement guidelines, other instructions provided by HERO

Electronix (c) abuse or misuse of the product.  
(d) breakdown, fluctuations, or interruptions in electrical power or the telecommunication network; or (e) Acts of God, including but not limited to lighting, flood, tornado, earthquake or hurricane.

- iii. errors and damages caused by: (a) liquid ingress, or spilled food, or physical abuse, or normal wear and tear, (b) use of or being connected to any accessory which was not supplied or authorised by HERO Electronix.
- iv. Plastic components like front or back covers plus rubber components.
- v. Physical or cosmetic damage to Silicon cover.

For all product related complaints/assistance, please contact as at:

helpdesk@quboworld.com | 1800-572-5757  
www.quboworld.com

Connected Smart Devices from



**Hero  
Electronix**

**Hero Electronix Pvt Ltd.**

503, Rectangle - 1, D-4, Saket District Centre, New Delhi - 110017

[www.quboworld.com](http://www.quboworld.com), [helpdesk@quboworld.com](mailto:helpdesk@quboworld.com)

**1800-572-5757**

Follow us on

