



Qubo

A **Hero**
Group Venture

The QBOOK

Smart Door Lock
ESSENTIAL



VISIT OUR YOUTUBE PAGE AND WATCH
THE HOW-TO VIDEOS
FOR MORE INFORMATION.



Scan QR code



Meet
QUBO
Smart Door Lock
ESSENTIAL

Discover Keyless Smart Living with Qubo Smart Door Lock ESSENTIAL.

No keys, no hassle, no fuss. Qubo smart lock keeps the right ones in and wrong ones out of your home.

Qubo Smart Lock ensures layers of security and key-less convenience with its 5-Way Secure access methods (Fingerprint, Pincode, Access Card, Mobile App & Mechanical Key). Conveniently unlock with Voice Guidance & Get Low battery alerts.

Enjoy the convenience of smart security today.

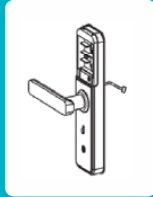
Contents

1. What's in the box?
2. Let's take a closer look
3. What you will need?
4. Lets Get Started - Installation Steps
5. Safety Guidelines
6. Certification & Disclaimers

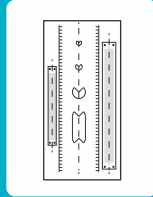
WHAT'S IN THE BOX?



Front Panel



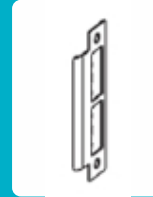
Back Panel
with Battery
Cover



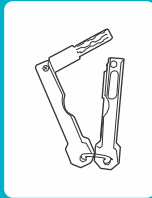
Drilling Template



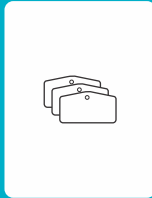
Mortise



Strike Plate



Mechanical Keys



Access Cards



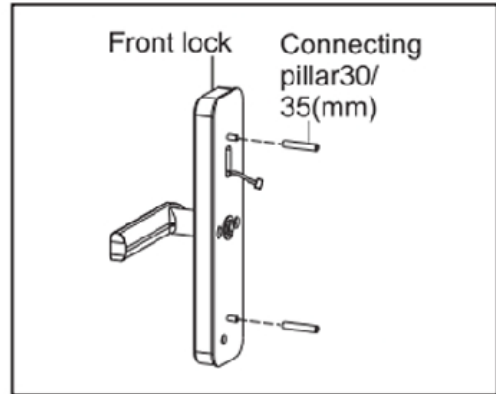
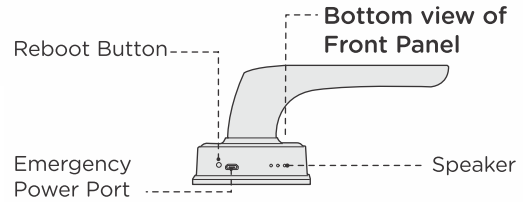
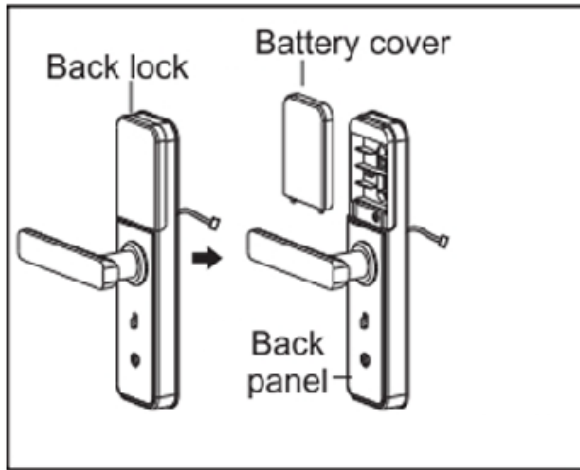
Screw Kit



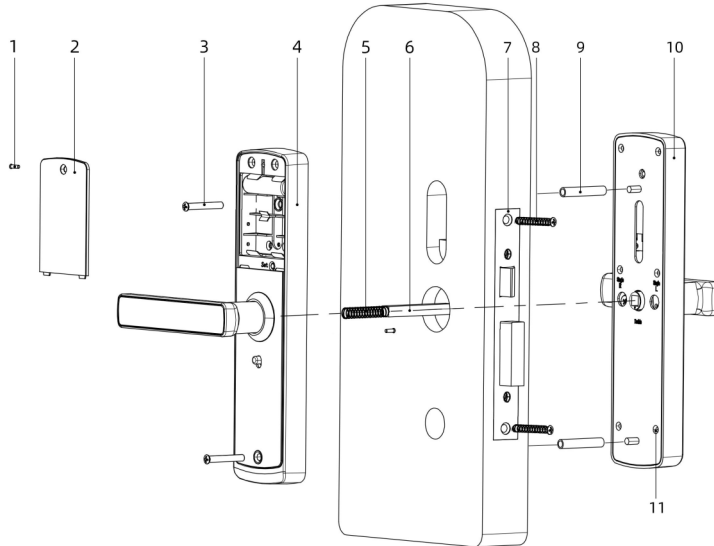
Warranty Card

Disclaimer This package list is for reference only, and all contents are subject to the actual products.

Let's take a closer LOOK



EXPLODED VIEW OF YOUR DEVICE



1. Fixed Screw
2. Mechanical Key Cover
3. Mounting Screw (2Pcs)
4. Back Panel
5. Pressure Spring
6. Square Shaft
7. Mortise
8. Fixed Screw (4 pcs)
9. Connecting Screw Bolt (2 pcs)
10. Front Panel
11. Fixed Screw (4 pcs)

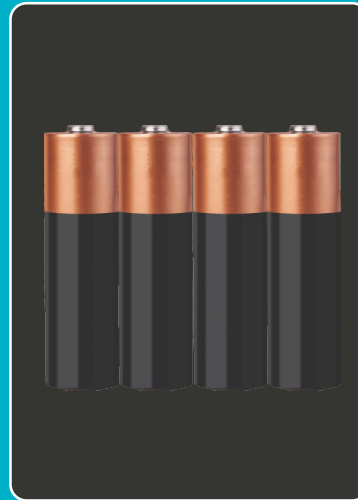
Disclaimer - Please press the spring at the end of shaft before installing it

What else you will NEED?

Qubo App on your Smartphone



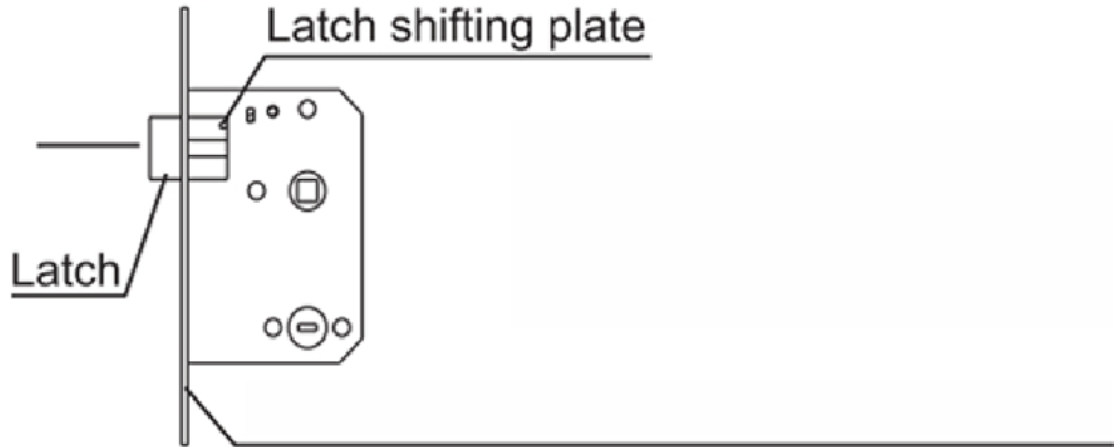
4 AA Alkaline Batteries
are recommended



Installation Preparation

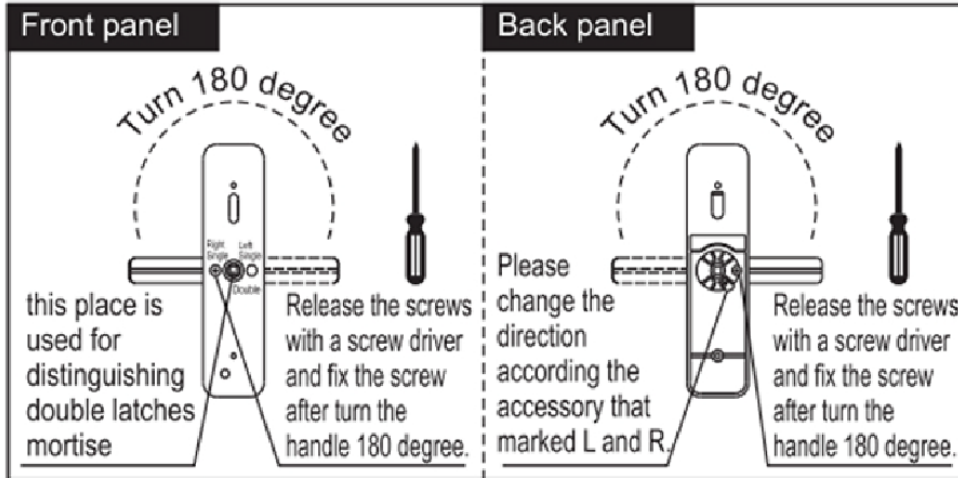
Change latch direction- by default it is on right in-right out

1. Pull the Latch shifting plate to another side
2. Push the latch into the mortise and turn 180 degree



Change handle direction (Left and Right)

By default, Door lock is for Right - Out, Right-In doors. To change handle direction of front panel to left in-left out read instructions below:

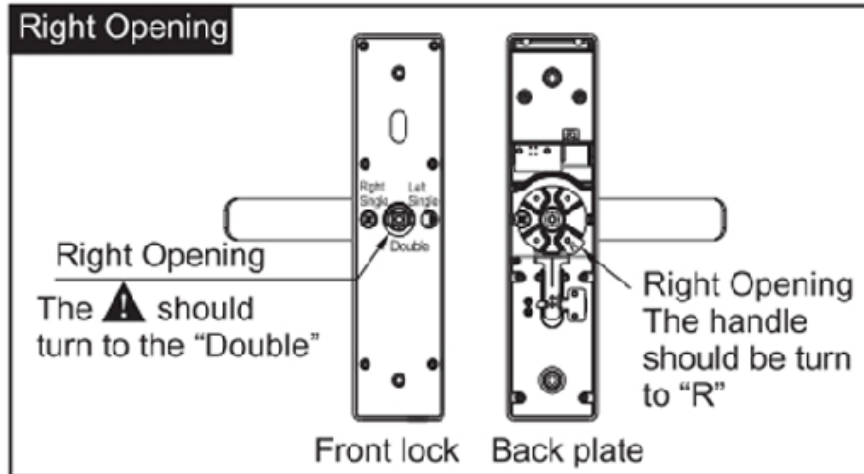


Step 1: Take out the Screw from front panel

Step 2: Rotate the handle to other direction

Step 3: Fasten the screw

CHANGE HANDLE DIRECTION OF BACK PANEL



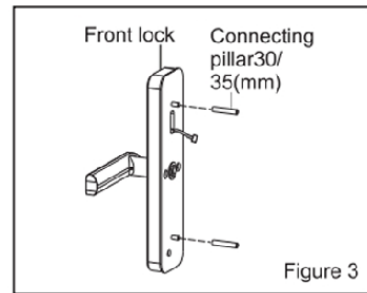
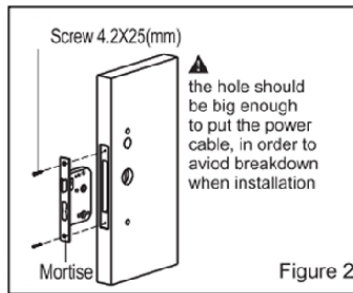
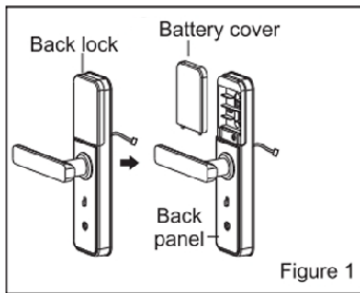
Step 1: Take out the Screws

Step 2: Rotate the handle to the other end

Step 3: Fasten the screws

Installation

Step 1: Position the 'drilling template' (provided in box) on the door and drill holes as indicated



Step 2: Install the Mortise as mentioned in the picture and tighten the screws to fix the mortise on the door.

Installation

Step 3: Fix screw bolt on the front panel, Place Square shaft and pressure spring into the bore.

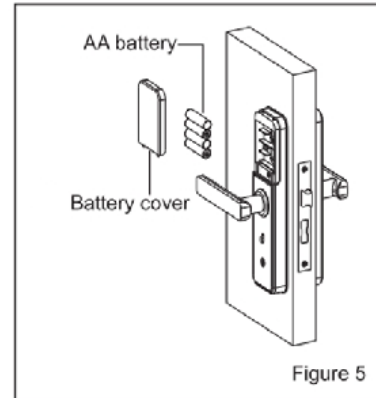
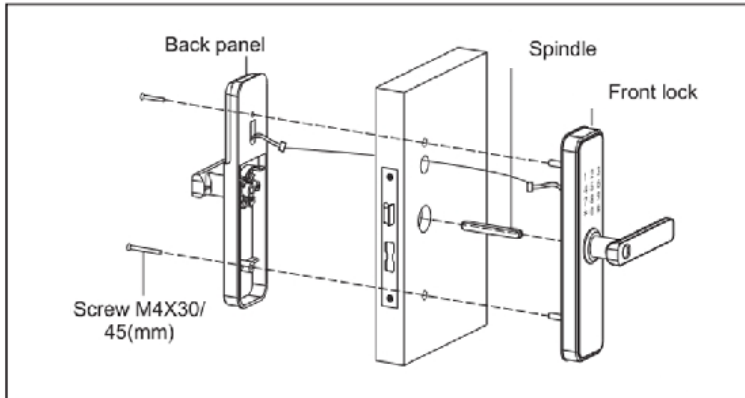
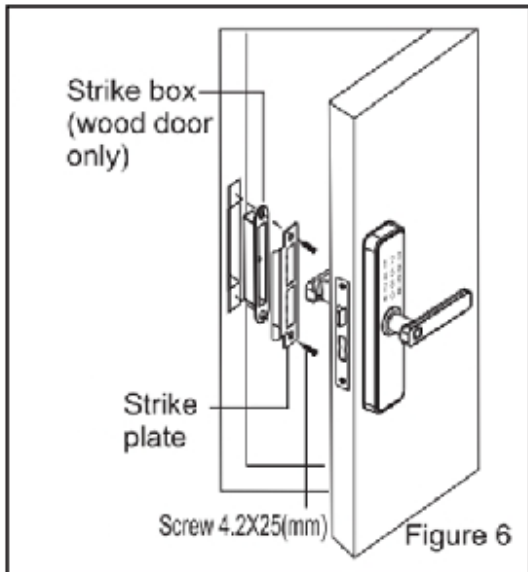


Figure 5

Step 4: Pass the connection cable through the bore. Then align and insert square shaft into mortise holes to make the front panel fit against the door closely.

Step 5: Insert the connecting cable through the mortise and front panel into related socket.

Step 6: Fasten the back panel to the door using Mounting screws.



Step 4: Install the batteries and the battery cover. Then install the strike plate on the door frame to finish the installation. Please check handle and mechanical key if they are working properly.

MULTIPLE WAYS TO ACCESS YOUR DOOR



Finger Print



Pincode



Qubo Mobile App



Access Card



Mechanical Key

SETUP ACCESS FOR YOUR SMART DOOR LOCK

ACCESS SETUP THROUGH QUBO APP

Step 1

Download the Qubo App from Google Play or Apple App Store by scanning the QR Code below.



Step 2

Create an account on Qubo App. If you are an existing user, login with your existing credentials and follow the instructions to get started.

ACCESS SETUP MANUALLY

Step 1: Setting up Admin Code

- Touch the screen to activate
- Default Master Pin is 123456
- Press * followed by # wait for audio prompt
- Press 3 Enter Admin code code and press #
- Follow instructions as guided by Device

Step 2: To add user PIN code press 1

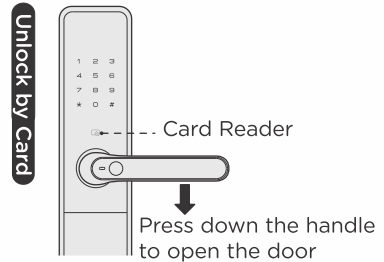
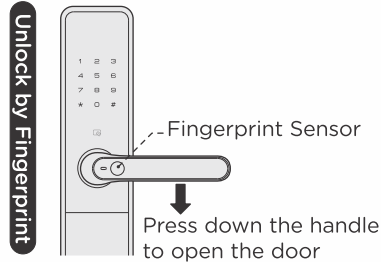
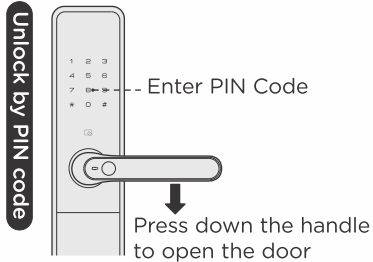
Step 3: Enter user PIN code (6-12 digit) and confirm with # key.

To know how to add/delete access options of your Qubo Smart Door Lock Essential, please scan below the QR Code



Note: Access Setup is recommended through Qubo Mobile App.

HOW TO UNLOCK FROM OUTDOOR/ FRONT PANEL



Outdoor | Front panel

1. Touch keypad by palm from below to up to lighten keypad.
2. Enter the enrolled PIN code with end of [#].
Voice prompt "Successful".
3. Press down the handle to open the door.

Outdoor | Front panel

1. Place the enrolled finger properly on the fingerprint sensor area until one beep sound and voice prompt "Successful."
2. Press down the handle to open the door.

Outdoor | Front panel

1. Place the enrolled access card properly on the card reader area until one beep sound and voice prompt "Successful."
2. Press down the handle to open the door.

UNLOCK BY MECHANICAL KEY

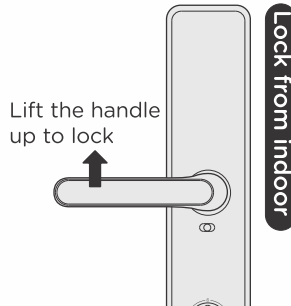
Key hole is at the bottom of the front panel, Insert the key into key hole and rotate it. Then Press the door handle downwards to open the door.

⚠ Caution: In case you have forgotten your PIN Code, battery of device has run out or there are some system errors, please use Mechanical key to open the lock

LOCK FROM OUTDOOR/ LOCK FROM INDOOR/ DOUBLE LOCK FROM INDOOR



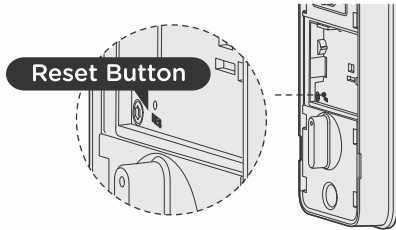
Outdoor | Front panel



Indoor | Front panel

OTHER FUNCTIONS

Restore to factory default settings

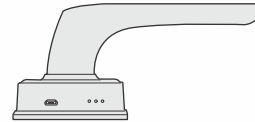


Operation instructions:

1. Open back cover and find the reset button.
2. **"Keep reset button pressed, it will produce ting sound 3 times then release the button"**
3. After that all user data and settings will be deleted.

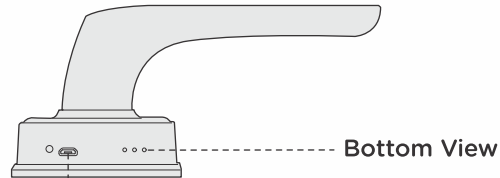
Reboot:

Press the reboot button to restart the lock when the system is unresponsive, no user data is deleted.



EMERGENCY POWER SUPPLY

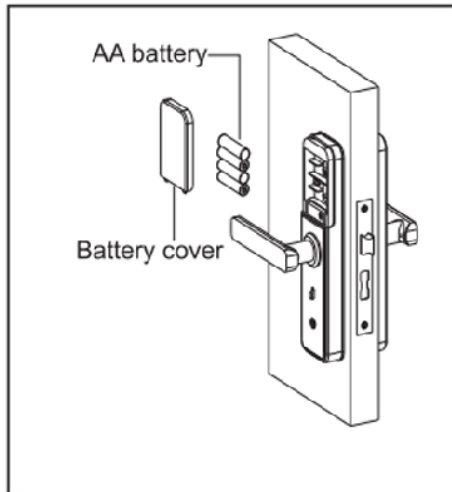
When the battery voltage is too low and cannot be opened from outside, connect a 5V power supply via Micro USB port at the front. Then unlock the door and replace all batteries immediately.



Emergency USB Power Port

⚠ Caution: Do not mix old and new batteries together in replacement.

REPLACE BATTERY



4x1.5V AA Alkaline battery required

⚠ Caution: When battery voltage goes below 4.8V, a voice prompt will guide you to replace all batteries at each unlocking

Safety Guidelines

Safety instructions:

- Read and understand all instructions before using this smart lock. Damages caused by failure to follow instructions is not covered by the warranty.
- It is recommended to use the enclosures / accessories specified by the company.
- For optimal battery performance, please use only alkaline batteries.
- Do not forcibly disassemble this product in order to avoid alarm sound or damage to the product.
- Do not scratch the fingerprint reader with sharp objects, otherwise it may cause permanent damage.
- Do not expose the product to corrosive substances, so as not to damage the outer protective layer.
- Do not hang objects on the handle, so as not to affect the normal use of the door lock.
- When cleaning the product, please wipe it with a soft cloth.
- Do not disassemble the battery while the device is operating.
- Please choose a professional engineer to install the door lock and follow the company's standard installation instruction, and do not install it by yourself.
- After the door lock is installed, please modify the default master PIN code immediately and keep the mechanical key in a safe place. Don't disclosure PIN code to the unknown person.

- When low battery alarm is triggered, please replace all the batteries in time.
- After the Door Lock is installed, please modify the default master PIN code immediately and keep the mechanical key in a safe place. Do not disclose the PIN code to any unknown person.

Warning:

- Do not dispose batteries improperly, as they can cause fire or explosion.
- Do not short- circuit the two poles of battery lead with metal objects as it can cause an explosion.
- Making sure replacement or maintenance are done by professional person authorized by Qubo .

- Your warranty may invalidate if you used accessories produced by other manufacturer or not recommended by Qubo .

Disposal of used battery and lock

- Please understand the local electronic product classification and collection system.
- Please follow the local regulations and do not discard used batteries into ordinary household garbage.
- Proper disposal of used product helps to avoid potential negative impacts on the environment and human health.

Certification

Declaration for Compliance of Reduction in the use of Hazardous Substances (ROHS) provisions of the E-Waste (Management) Rules, 2016.

We, Hero Electronix Private Limited, being the producer as per E-Waste (Management) Rules, 2016, hereby declare that the device is in compliance with the ROHS provisions of the above said rules.

In compliance with the E-Waste (Management) Rules, 2016, the content of hazardous substances in the device (with the exemption of the applications listed in Schedule II of the E-Waste (Management) Rules, 2016) are as follows:

Lead: not exceeding 0.1% by weight

Cadmium: not exceeding 0.01% by weight

Mercury: not exceeding 0.1% by weight

Hexavalent Chromium: not exceeding 0.1% by weight

Polybrominated Biphenyls: not exceeding 0.1% by weight

Polybrominated Diphenyl Ethers: not exceeding 0.1% by weight

SUPPORT

In case you need further help setting up this device:

- Visit the support section on our website and download the detailed user manual.
- Visit our YouTube page and watch the How-To videos.
- Contact our customer care center at 1800-572-5757.

Disclaimers

- Images used are for reference purpose only. Actual product might vary in terms of colour and composition.

All related logos are trademark of Hero Electronix Pvt. Ltd.



CONNECTED SMART DEVICES FROM



**Hero
Electronix**

Hero Electronix Pvt Ltd.

503, Rectangle - 1, D-4, Saket District Centre, New Delhi - 110017

www.quboworld.com, helpdesk@quboworld.com

1800-572-5757

Follow us on

